

## GLOBE VALVES GV32B

### DESCRIPTION

The ADCA GV32B bronze inline stop valves are designed for use with steam, water, oil or air applications.

### MAIN FEATURES

Rising stem.  
PTFE renewable plug.  
High quality PTFE steam seals.

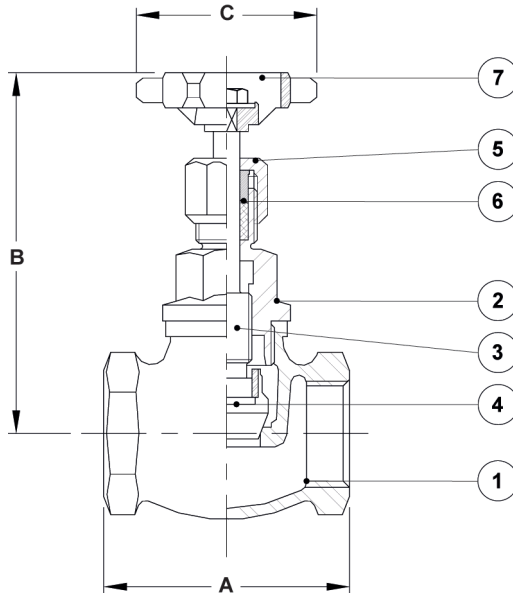
USE: Saturated steam, condensate, water, oil, compressed air and other fluids compatible with the construction.

AVAILABLE MODELS: GV32B - bronze.

SIZES: 1/2" to 2".

CONNECTIONS: Female threaded ISO 7 Rp or NPT on request.

INSTALLATION: See IMI – Installation and maintenance instructions.



MATERIALS		
POS. No.	DESIGNATION	MATERIAL
1	Body	Bronze
2	Bonnet	Brass
3	Stem	Brass
4	Plug	Glass filled PTFE
5	Gland nut	Brass
6	Packing	PTFE
7	Handwheel	Aluminium

CE MARKING – GROUP 2 (PED – EUROPEAN DIRECTIVE)	
PN 32	CATEGORY
1/2" to 1 1/4"	SEP
1 1/2" to 2"	1 (CE marked)

BODY LIMITING CONDITIONS	
ALLOWABLE PRESSURE	RELATED TEMPERATURE
32 bar	100 °C
14 bar	198 °C

FLOW RATE COEFFICIENTS (m <sup>3</sup> /h)						
SIZE	1/2"	3/4"	1"	1 1/4"	1 1/2"	2"
Kvs	2	5	10	16	23	42

For conversion Kvs = Cv (US) x 0,855.

DIMENSIONS (mm)				
SIZE	A	B	C	WEIGHT (kg)
1/2"	57	95	75	0,4
3/4"	65	98	75	0,6
1"	78	114	85	0,9
1 1/4"	89	138	95	1,4
1 1/2"	100	159	105	1,8
2"	121	170	120	2,7